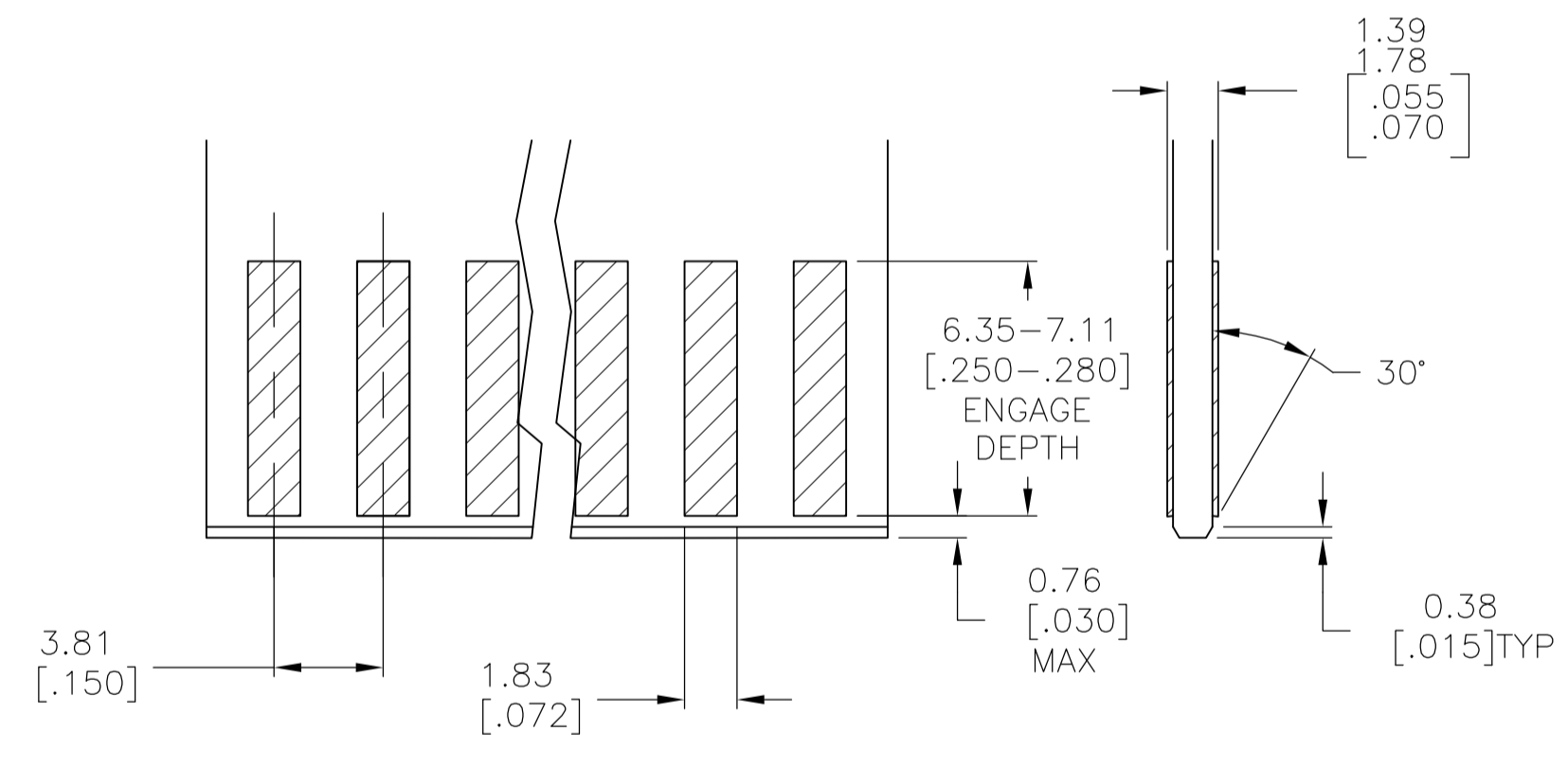


BOARD RETENTION FEATURE



DAUGHTER CARD

- 1 HOUSING: GLASS FILLED POLYESTER; COLOR: BLACK.
- 2 CONTACT: PHOSPHOR BRONZE.
- 3 HARD NICKEL PLATE .0038 {0.00150} MIN. THICKNESS AND 425 MIN. KNOOP HARDNESS IN LEAD-IN AREA, .0013 [0.00050] MIN THICKNESS ALL OVER. NOTE: PLATING HARDNESS CAN NOT BE MEASURED ON THE
- 4 TIN-LEAD PLATE: 0.00254 [0.000100] MIN - SOLDER POSTS.
- 5 GOLD PLATE: 0.00076 [0.000030] MIN - CONTACT AREA.
- 6 NICKEL PLATE PER MIL-G-45204. GOLD PLATE PER QQ-N-290.
- 7 UL & CSA LOGOS MOLDED ON END.
- 8 THE WORD MEXICO MOLDED ON END.
- 9 RECOMMENDED PCB FINISHED HOLE DIA: 1.02 # 0.08 [0.040 #.003].
- 10 THE RETENTIVE FEATURE OF THIS CONNECTOR IS DESIGNED FOR FULL SEATING IN .062 .008 THICK CIRCUIT BOARDS. FOR APPLICATIONS IN BOARDS OF OTHER THICKNESSES CONTACT AMP INCORPORATED.
- 11 MATTE TIN PLATE: 0.00254 [0.000100] MIN - SOLDER POSTS.
- 12 OBSOLETE PARTS: OBSOLETE CIS STREAMLINING PER D.RENAUD/D.SINISI

12	OBSOLETE	7-10, 27-34, 53-56	121.16 [4.770]	114.30 [4.500]	30	31	11	8-650728-1
		7-10, 25-32, 47-50	109.73 [4.320]	102.87 [4.050]	27	28	11	7-650728-8
		7-10, 29-32	75.44 [2.970]	68.58 [2.700]	18	19	11	6-650728-9
		7-10, 15-18	48.77 [1.920]	41.91 [1.650]	11	12	11	6-650728-2
	OBSOLETE	7-10, 39-46, 75-78	163.06 [6.420]	156.21 [6.150]	41	42		4-650728-2
12	OBSOLETE	7-10, 27-34, 53-56	121.16 [4.770]	114.30 [4.500]	30	31		3-650728-1
		7-10, 25-32, 47-50	109.73 [4.320]	102.87 [4.050]	27	28		2-650728-8
		7-10, 29-32	75.44 [2.970]	68.58 [2.700]	18	19		1-650728-9
	OBSOLETE	7-10, 27-30	71.63 [2.820]	64.77 [2.550]	17	18		1-650728-8
	OBSOLETE	7-10, 17-20	52.07 [2.070]	45.72 [1.800]	12	13		1-650728-3
		7-10, 15-18	48.77 [1.920]	41.91 [1.650]	11	12		1-650728-2
		BOARD LOCATION	B	A	X	NO OF POSN		PART NUMBER

THIS DRAWING IS A CONTROLLED DOCUMENT. **STE** TE Connectivity

DIMENSIONS: mm [INCHES] TOLERANCES UNLESS OTHERWISE SPECIFIED:

0 PLC	± -
1 PLC	± -
2 PLC	± 0.13 [0.005]
3 PLC	± -
4 PLC	± -
ANGLES	± -

MATERIAL: HOUSING: CONTACT: FINISH: APPLICATION SPEC: WEIGHT: CUSTOMER DRAWING

APPROVED: R. SHIREY/UTA, J. DIORAZIO, J. DIORAZIO

DATE: 11JULY91, 08OCT92, 08OCT92

NAME: CONNECTOR ASSEMBLY, STANDARD EDGE II, 3.81 [1.150] q SELECT BOARD RETENTION

PRODUCT SPEC: 108-9039

SIZE: A1

SCALE: 4:1

SHEET: 1 OF 1

REV: P2